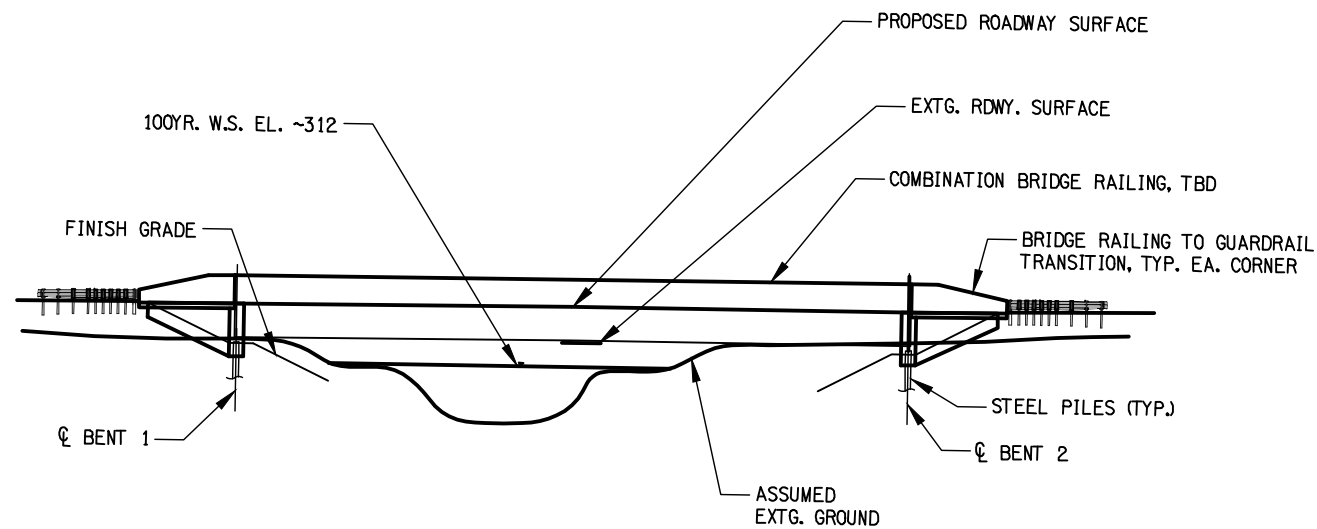
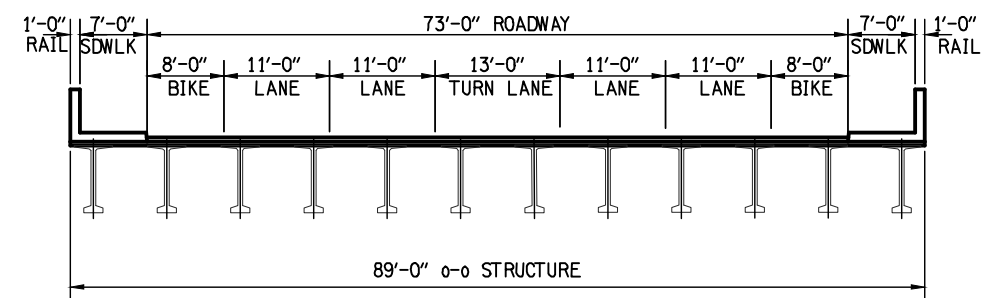


PLAN
SCALE: 1"=40'

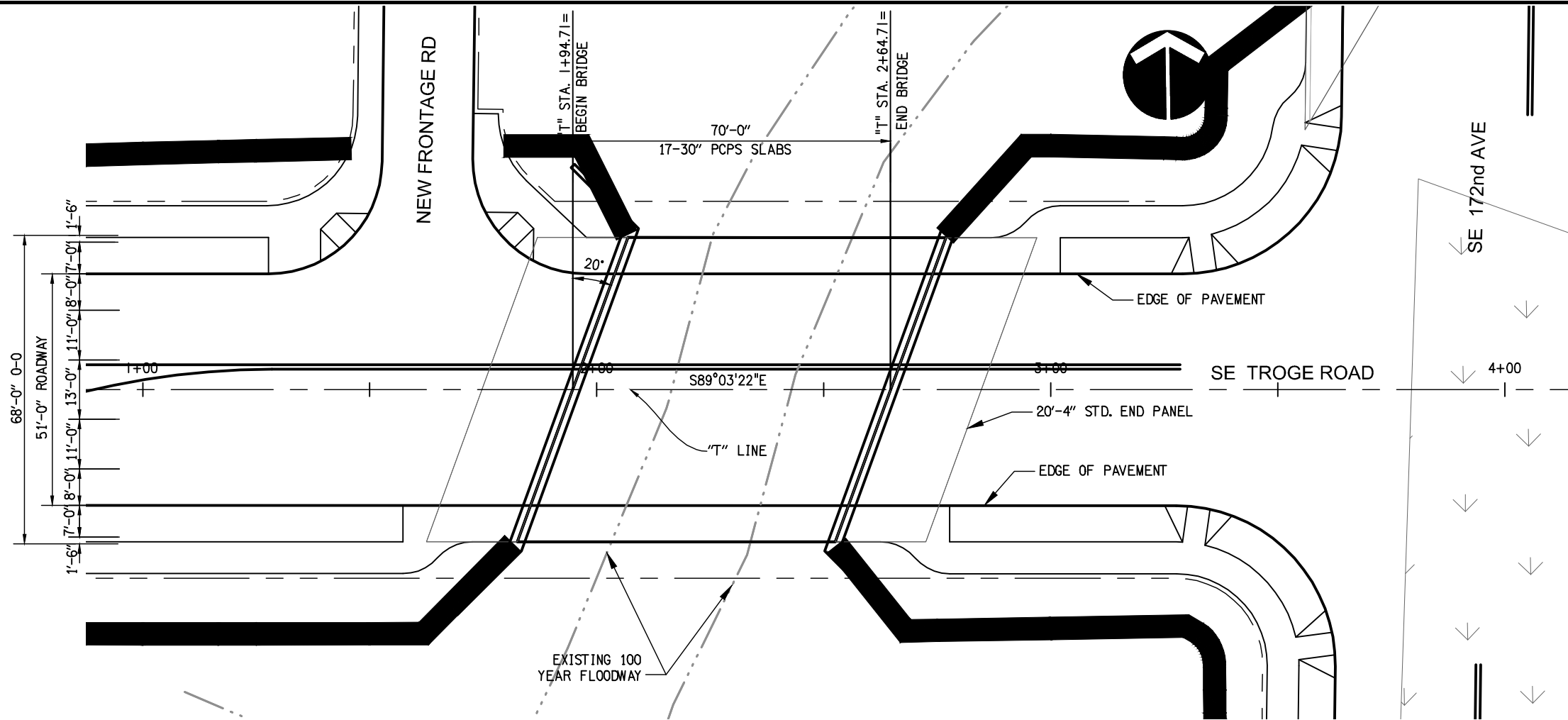


ELELVATION
SCALE: 1"=40'

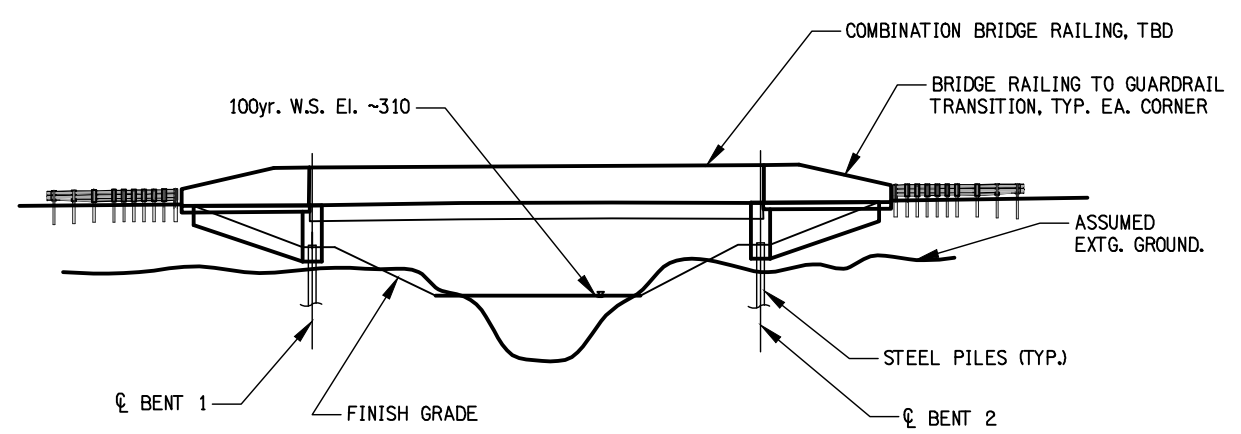


TYPICAL DECK SECTION
NO SCALE

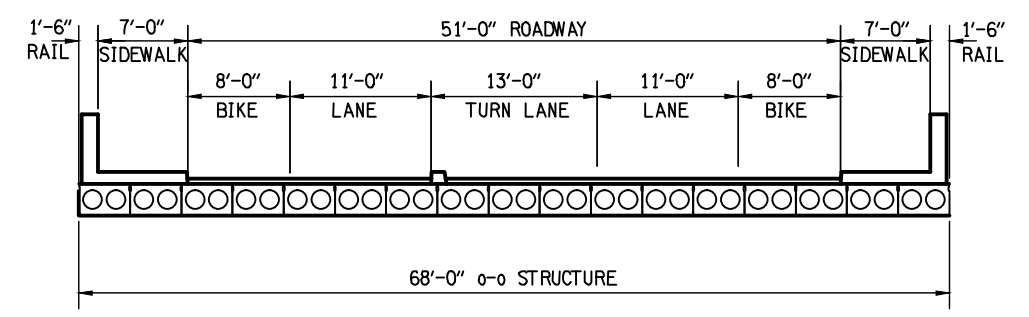
<p>CLACKAMAS COUNTY DEPARTMENT OF TRANSPORTATION AND DEVELOPMENT</p>	<p>172nd / 190th CORRIDOR PLAN</p>		
	<p>ROCK CREEK, SE 172ND AVE BRIDGE REPLACEMENT PLAN AND ELEVATION</p>		
	<p>DRAWN BY: SLR DATE: 09/16/11</p> <p>CHECKED BY: ASL DATE: 09/16/11</p> <p>APPROVED BY: AMO DATE: 09/16/11</p>	<p>REVISION No. DATE</p> <p>REVISION No. DATE</p> <p>REVISION No. DATE</p>	<p>SHEET No.</p> <p>ST 1.01</p>



PLAN
SCALE: 1"=30'



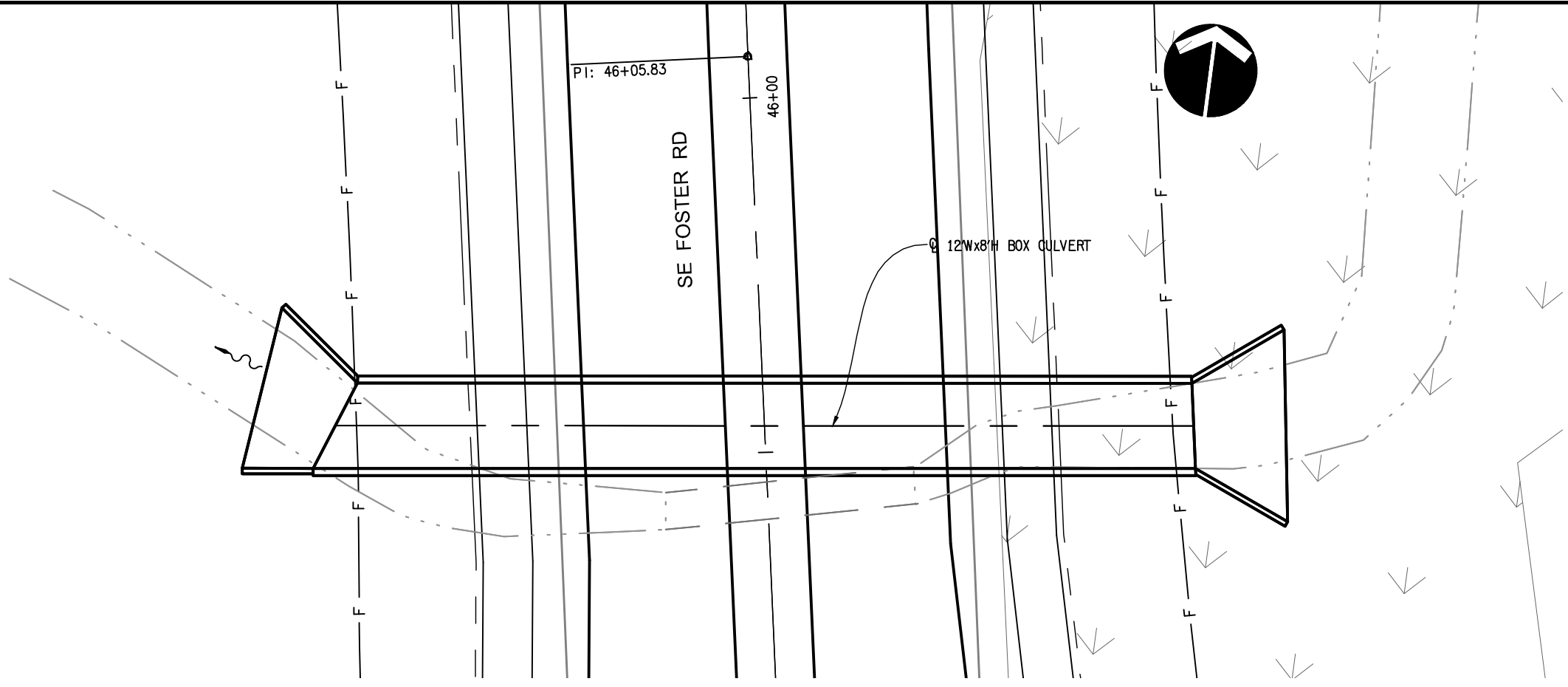
ELEVATION
SCALE: 1"=30'



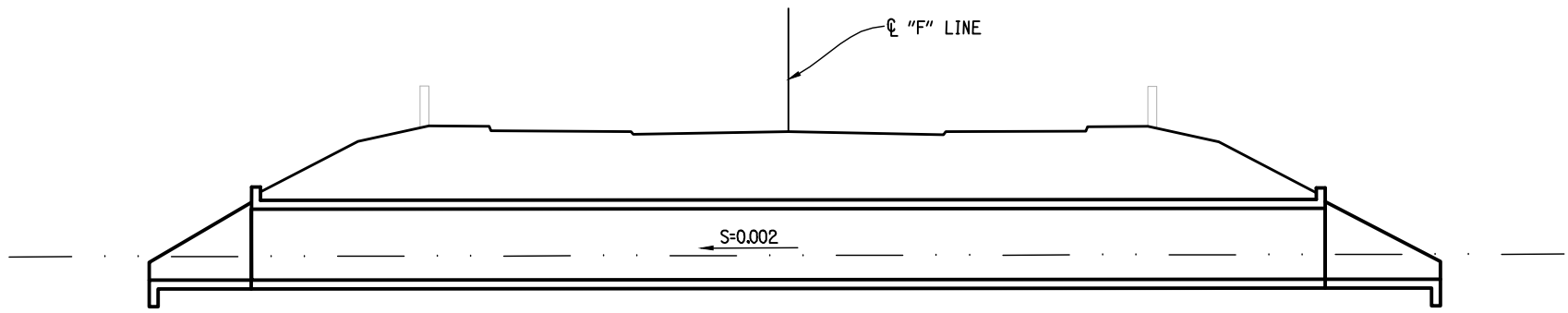
TYPICAL DECK SECTION
NO SCALE

	CLACKAMAS COUNTY DEPARTMENT OF TRANSPORTATION AND DEVELOPMENT		172nd / 190th CORRIDOR PLAN	
	172nd / 190th Corridor Plan		ROCK CREEK, SE TROGE ROAD BRIDGE PLAN AND ELEVATION	
<small>DRAWN BY</small> SLR <small>DATE</small> 09/16/11 <small>REVISION No.</small> <small>DATE</small> <small>REVISION No.</small> <small>DATE</small>	<small>CHECKED BY</small> ASL <small>DATE</small> 09/16/11		<small>SHEET No.</small>	
<small>APPROVED BY</small> AMO <small>DATE</small> 09/16/11			ST 2.01	


Drawing name: L:\Project\1530015343D\wp\343ST201.dwg Oct 26, 2011 - 3:38pm



PLAN
SCALE: 1"=20'



ELEVATION
SCALE: 1"=20'

 172nd / 190th Corridor Plan	CLACKAMAS COUNTY DEPARTMENT OF TRANSPORTATION AND DEVELOPMENT		172nd / 190th CORRIDOR PLAN																										
	ROCK CREEK HEMRICK RD TRIB, SE FOSTER RD CULVERT REPLACEMENT PLAN AND ELEVATION		<table border="1"> <tr> <td>DRAWN BY</td> <td>SLR</td> <td>DATE</td> <td>09/16/11</td> <td>REVISION No.</td> <td>DATE</td> <td>REVISION No.</td> <td>DATE</td> <td>SHEET No.</td> </tr> <tr> <td>CHECKED BY</td> <td>ASL</td> <td>DATE</td> <td>09/16/11</td> <td></td> <td></td> <td></td> <td></td> <td rowspan="2">ST 3.01</td> </tr> <tr> <td>APPROVED BY</td> <td>AMO</td> <td>DATE</td> <td>09/16/11</td> <td></td> <td></td> <td></td> <td></td> </tr> </table>		DRAWN BY	SLR	DATE	09/16/11	REVISION No.	DATE	REVISION No.	DATE	SHEET No.	CHECKED BY	ASL	DATE	09/16/11					ST 3.01	APPROVED BY	AMO	DATE	09/16/11			
DRAWN BY	SLR	DATE	09/16/11	REVISION No.	DATE	REVISION No.	DATE	SHEET No.																					
CHECKED BY	ASL	DATE	09/16/11					ST 3.01																					
APPROVED BY	AMO	DATE	09/16/11																										

Drawing name: L:\Project\1530015343D\wp\3435T301.dwg Oct 26, 2011 - 3:34pm

